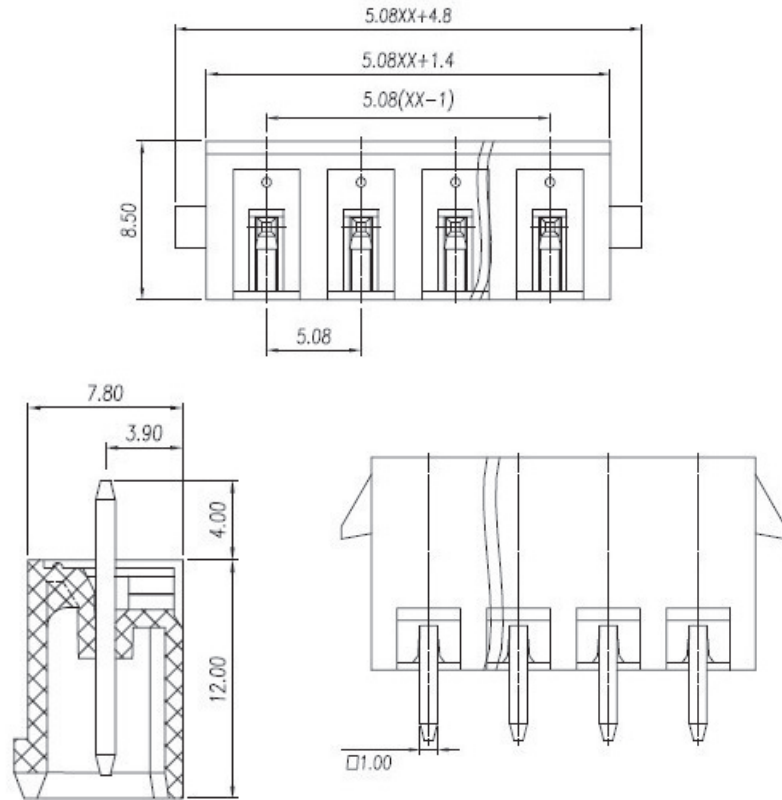


# PCB Terminal Blocks Vertical Header with Latching Nose ASIWJ2EDGVG-5.08



Certification	
Material	
Pin/Plate	Brass, Tin Plated
Housing	PA66, UL 94V-0, Green
Electrical	
Standard	UL 1059/CSA C22.2 No. 158
Rated Voltage	300 V
Rated Current	15 A
Contact Resistance	20mΩ
Insulation Resistance	500MΩ/500 Vdc
Withstand Voltage	2000 Vac/1 Min
Mechanical	
Temperature Range	-40°C...+105°C
Size	
Pitch	5.08 mm (.200")
Poles	2P-16P. Additional sizes available on request.

Item	No. of Poles	Length (mm)
ASIWJ2EDGVG-5.08-2P	2	14.96
ASIWJ2EDGVG-5.08-3P	3	20.04
ASIWJ2EDGVG-5.08-4P	4	25.12
ASIWJ2EDGVG-5.08-5P	5	30.2
ASIWJ2EDGVG-5.08-6P	6	35.28
ASIWJ2EDGVG-5.08-7P	7	40.36
ASIWJ2EDGVG-5.08-8P	8	45.44
ASIWJ2EDGVG-5.08-9P	9	50.52
ASIWJ2EDGVG-5.08-10P	10	55.6
ASIWJ2EDGVG-5.08-11P	11	60.68
ASIWJ2EDGVG-5.08-12P	12	65.76
ASIWJ2EDGVG-5.08-13P	13	70.84
ASIWJ2EDGVG-5.08-14P	14	75.92
ASIWJ2EDGVG-5.08-15P	15	81.0
ASIWJ2EDGVG-5.08-16P	16	86.08